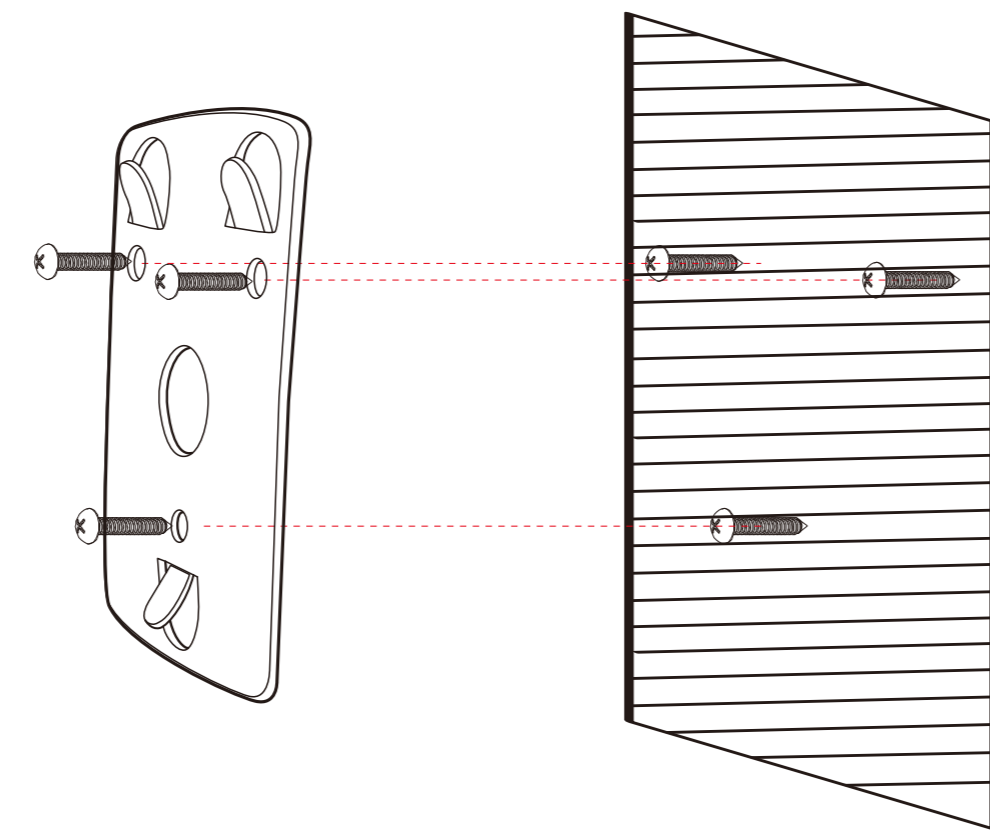
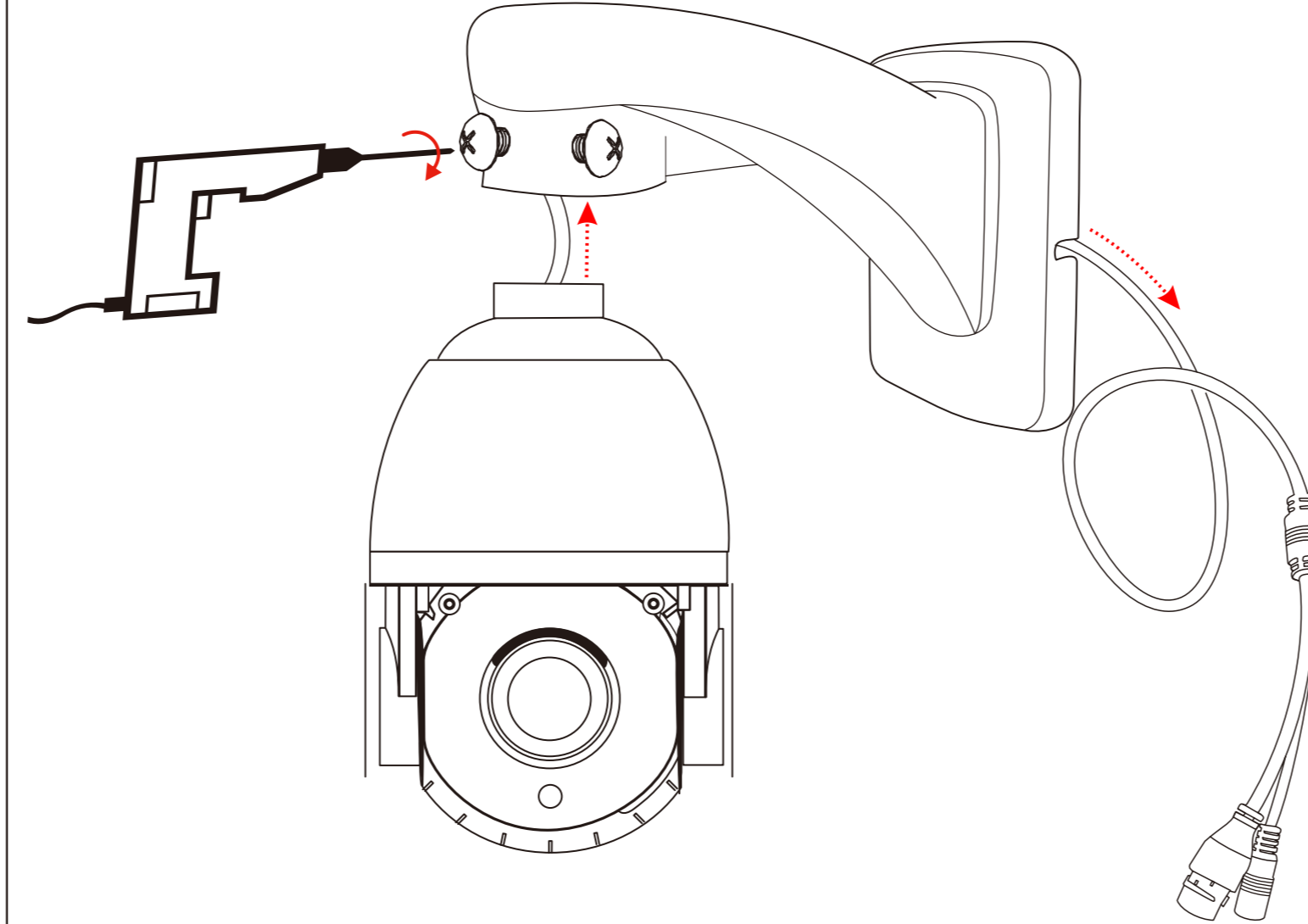


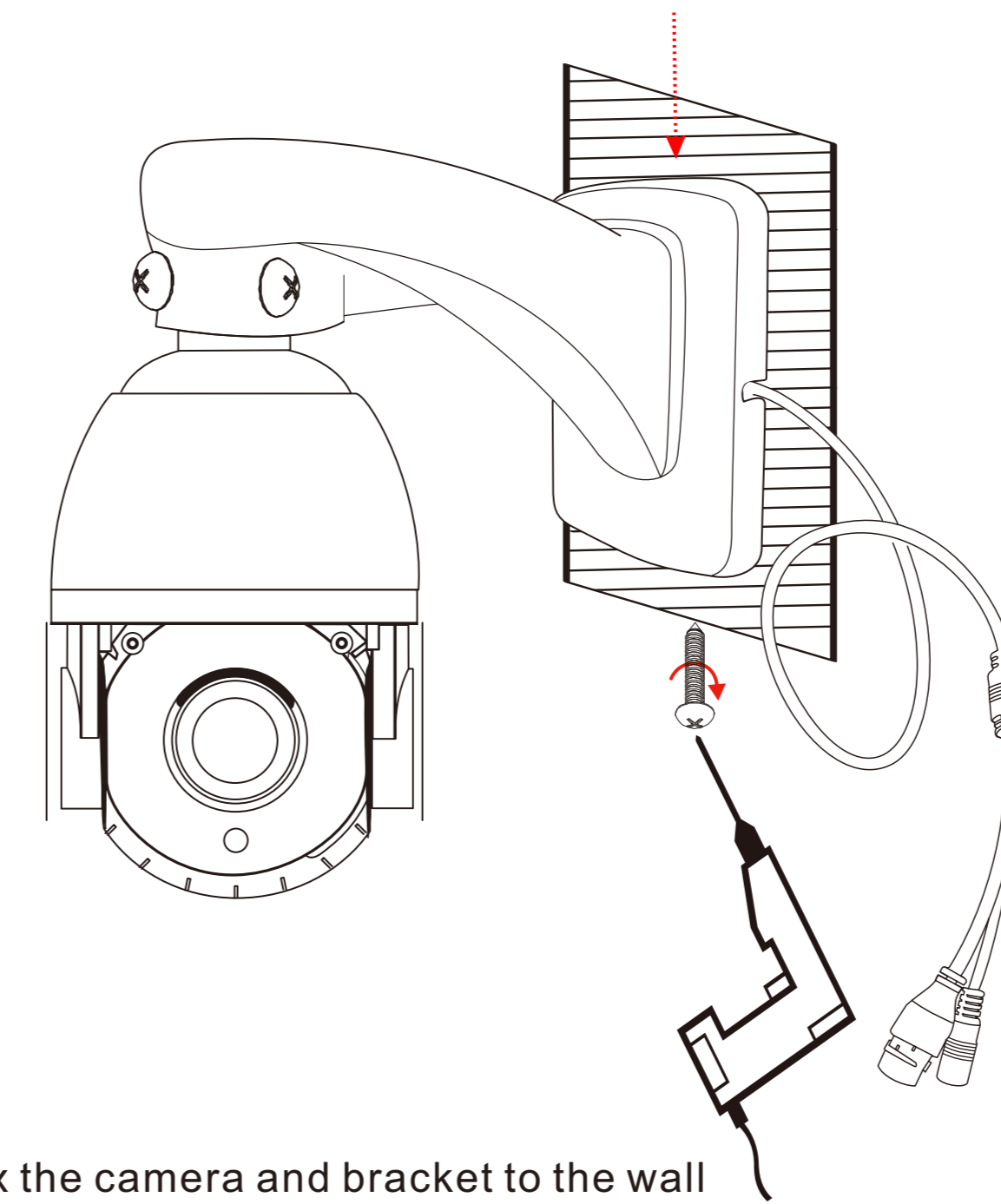
① Take off the baseplate



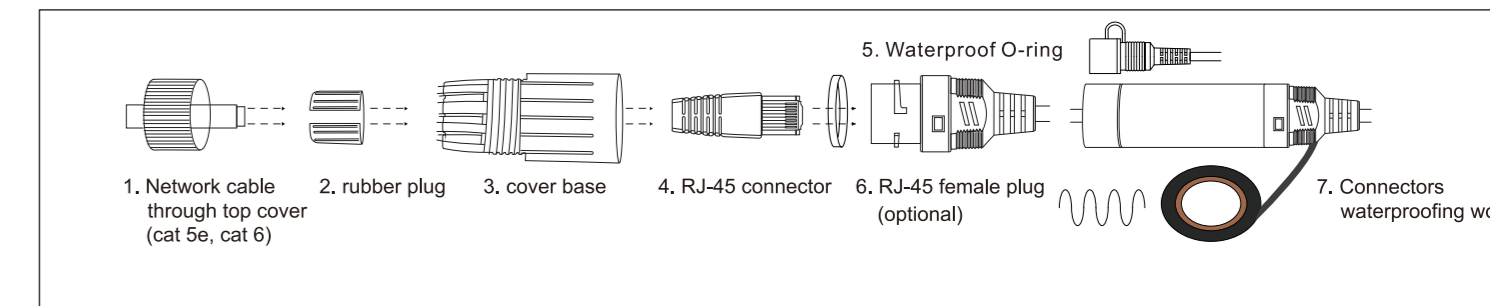
② Fix the baseplate to the wall with screws



③ Put the cable through the bracket, fix the neck screws



④ Fix the camera and bracket to the wall



⑤ RJ-45 Network port waterproofing work